



# 1600T SERIES

Remote Display with Integrated Traffic Light



Combine traffic control and weight display in a single device to save time, space and money.

Powerful LED display is visible at 300 feet!



# FAIRBANKS®

## 1600T SERIES REMOTE DISPLAY WITH INTEGRATED TRAFFIC LIGHT



### DESIGNED TO WITHSTAND THE ELEMENTS

Fairbanks Scales' 1605T Series remote displays are made to perform in the harsh, real-world environments that truck scale applications demand and it is compatible with every known scale instrument that has continuous output capability.

### 1605T FEATURES

- Bright red, high-intensity LED with 5.0" characters.
- Large 5" Diameter green DOT/ Red X
- NEMA 3 rated enclosure for outdoor use.
- Gross and Net legends (GR-NT).
- LB and KG legends.
- Display interfaces include RS232, RS485 and 20mA (active or passive). Wireless RS232 accessory sold separately.
- Programmable learning interface.
- Time and date capability (standard).
- Optional temperature module.

### ACCESSORY 777 SPECIFICATIONS

Construction .....	Black powder-coated steel enclosure
Display type .....	High-intensity light emitting diode (LED)
Life expectancy .....	More than 11 years
Visibility .....	Up to 300 feet
Control box .....	Automatic or manual

- Accessories/Options .....
- Slipfitter for 4.5" pole
  - Bracket for wall mounting
  - 4.5" x 8' aluminum traffic pole with natural finish
  - Square, aluminum pole base
  - Complete installation kits

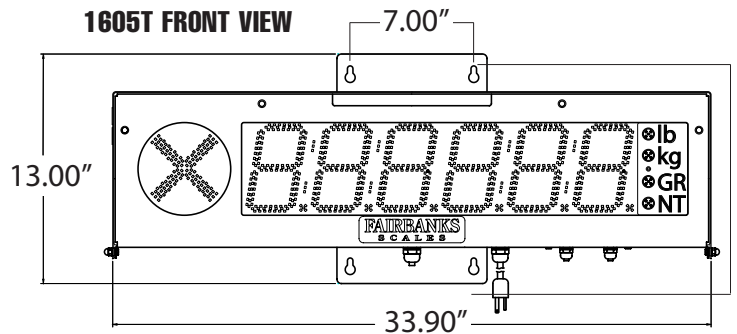


*Shown with optional slipfitter.*

### 1605T SPECIFICATIONS

Display type .....	High-intensity, light emitting diode (LED)
Digit color/size .....	Bright red, 5.0"
Traffic light color/size .....	5" diameter green DOT/Red X
LED life expectancy .....	More than 11 years
Time/Date functions .....	Standard
Power .....	117 VAC +/- 15% 50/60 Hz, 100 mA
Storage Temperature .....	0° F to 150° F
Interface options .....	RS232 RS485 20mA (active or passive)
Enclosure material .....	Painted steel, black, powder coat
Enclosure rating .....	NEMA 3
Viewing distance .....	Up to 300 feet
Mounting options .....	Pole or wall mount (see accessories below)
Humidity .....	0% to 95% non-condensing
Shipping weight .....	35 lbs
Accessories .....	Optional temperature module; Pole and pole mounting hardware; Wireless RS232; Relay box for traffic light control

### DIMENSIONS



### ACC 777 FRONT VIEW

